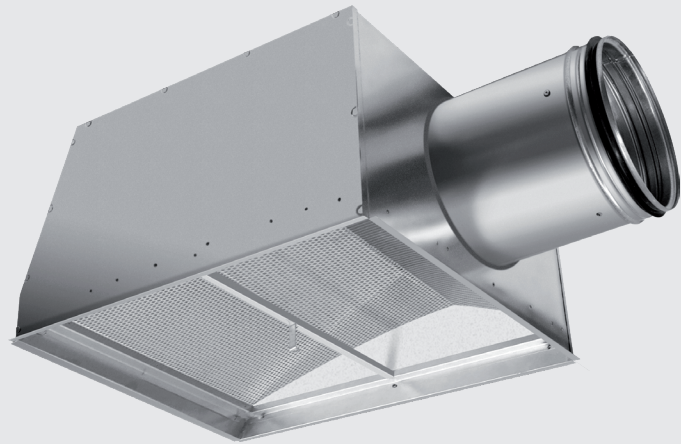


Commissioning box  
for square type ceiling  
diffusers

## TLS



*The TLS commissioning box is the supply air units' optional accessory which needs to be ordered separately.*

### Description and function

The TLS is a compact commissioning box with a square opening designed for the DRTX, PRQX and PRNX supply air diffusers. Ideal for ceiling installations, the TLS can be flush-mounted in suspended (false) ceilings or used in visible installation settings. It includes environmentally friendly sound-absorbent insulation, a supply air distribution plate, and a damper module for commissioning and measuring airflow. The sound insulation provides optimal noise attenuation, ensuring quiet operation to enhance comfort in various settings. The damper blade is equipped with adjustment cords for easier commissioning and securing the airflow. Combining precise airflow control, efficient space utilization, and optimal sound attenuation, the TLS is ideal for comfort applications demanding high capacity and ventilation efficiency.

### Standard sizes

TLS 125-400  
 TLS 160-400  
 TLS 200-500  
 TLS 200-595  
 TLS 250-595  
 TLS 315-595

### Airflow range

The diagrams showing the airflow range can be found in the catalogues of DRTX, PRCX, PRNX and PRQX units.

### Materials

Casing, distribution plate and flanged spigot from galvanised sheet steel with EPDM rubber gasket. Washable surface coated insulation from 100% recycled, non allergenic, hydrophobic PET material. Damper module of galvanised steel with cords of polyester. Measurement device of galvanized steel and aluminum pipe with silicone hose.

### Main characteristics

- Low build, ensuring minimal height requirements
- Designed for high performance and silent operation
- Uniform airflow distribution, maximizing room comfort
- Compatible with square supply air diffusers: DRTX, PRCX, PRNX, and PRQX

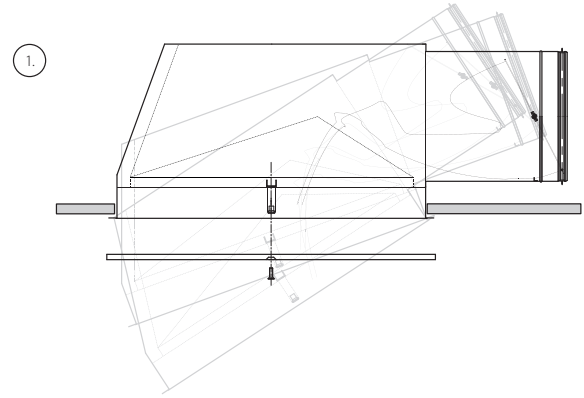
### Installation

The TLS commissioning box can be mounted to the ceiling with either a threaded rod or hanging tape. The box has a square opening for direct connection to square supply air diffusers. While connection to a flexible duct is possible, it is not recommended.

**Note!** To achieve the required accuracy, maintain a straight section of air duct before the product:

**Duct Bend/Elbow:** The box can be installed directly after a bend.

**T-piece:** The box must be installed after a straight section equal to or greater than 4 times the duct diameter ( $\geq 4 \times \varnothing$ ).

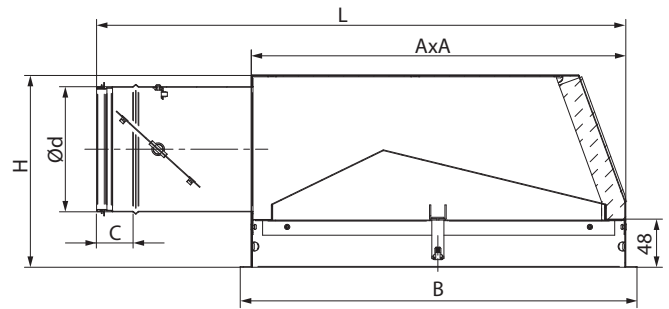


### Dimensions

#### T.1.

Size	AxA	B	H	C	L	Ød	Weight [kg]
125-400	371	393	190	36	525	124	3,26
160-400	371	393	226	36	555	159	3,64
200-500	471	493	266	36	685	199	5,43
200-595	570	588	266	36	784	199	6,92
250-595	571	588	316	56	855	249	7,84
315-595	571	588	381	56	915	314	9,02

The indicated sizes in mm.  
\* minimum installation height



### Specification

Ordering code:	TLS -XXX-XXX
Product acronym:	TLS
Size:	125-400 160-400 200-500 200-595 250-595 315-595
Example:	TLS-200-500