

On / off commissioning
damper for chilled beams

DUO



Description

DUO is a commissioning damper with on/off actuator, equipped with perforated damper blade. The damper is opened when the zone is occupied and closed when the zone is not occupied. The damper is able to ensure very accurate airflows (depending on the chosen perforation type: A=10%, B=15%, C=20%, D=25% of the designed airflow) in absent mode, while securing minimum noise levels due to the special nozzle perforations of the blade. DUO was designed specifically for chilled beam systems, and is produced in 4 sizes ranging from Ø100 - Ø200 mm. The Ø100/125mm dampers with actuator CM24-R, while the Ø160/200mm dampers are supplied with LM24A.

Example: DUO 125 - 100 Pa

(Diagram 2.) With opened blade the DUO lets 38 l/s air volume to the zone. With closed blade and A type perforation the air volume is reduced to 3,8 l/s (B: 5,7 l/s, C: 7,8 l/s, D: 9,5 l/s).

If the DUO is connected to the chilled beam system, it is controlled by the motion sensor of the ConrtolAir.

Standard sizes

Ø100, 125, 160 and 200 mm

Material & finish

Casing and damper blade of galvanized sheet steel. Connections and damper blade are equipped with rubber sealing.

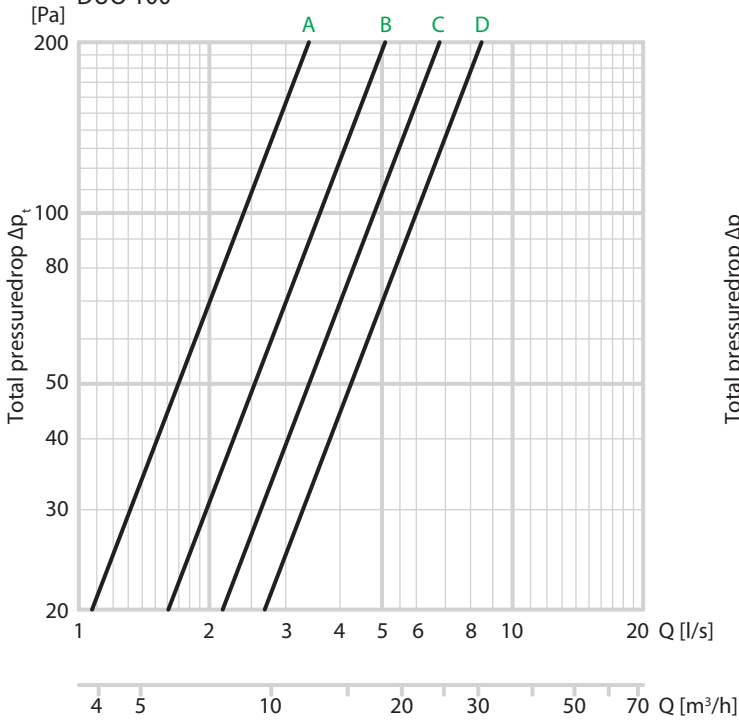
Main features

- specially designed damper blade with nozzle perforations
- very low sound levels in closed position
- suitable for DCV (demand-controlled ventilation) applications
- Belimo CM24-R or LM24A on/off actuator as standard

Diagrams

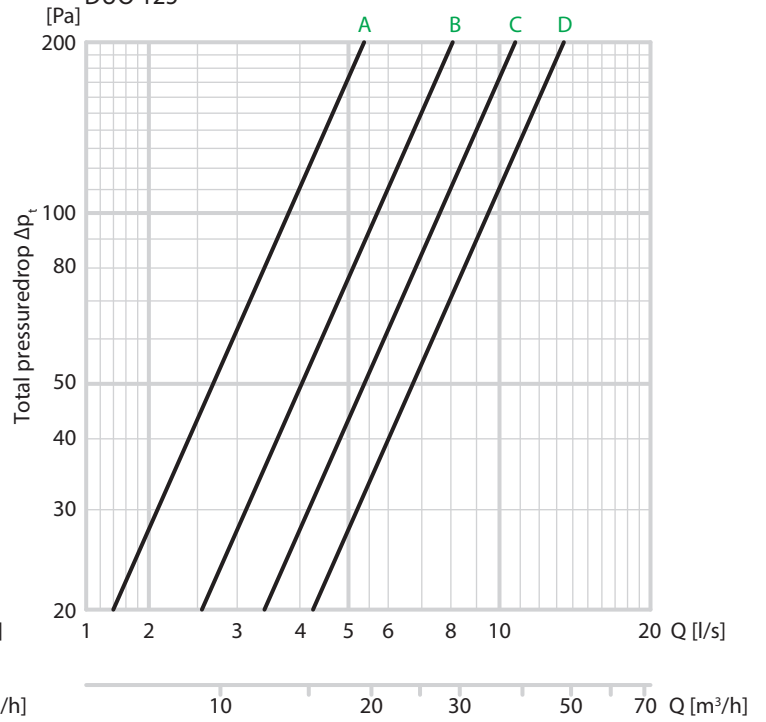
D. 1.

DUO 100



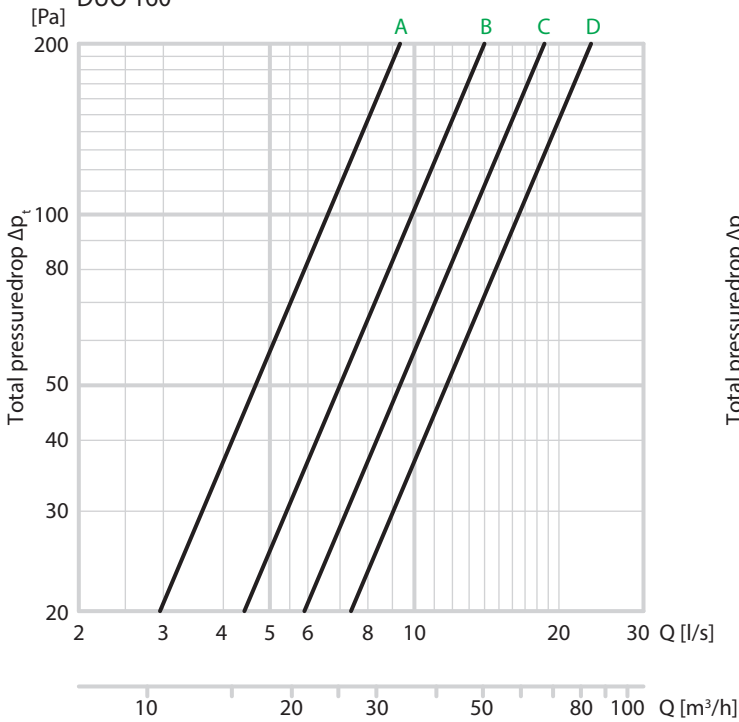
D. 2.

DUO 125



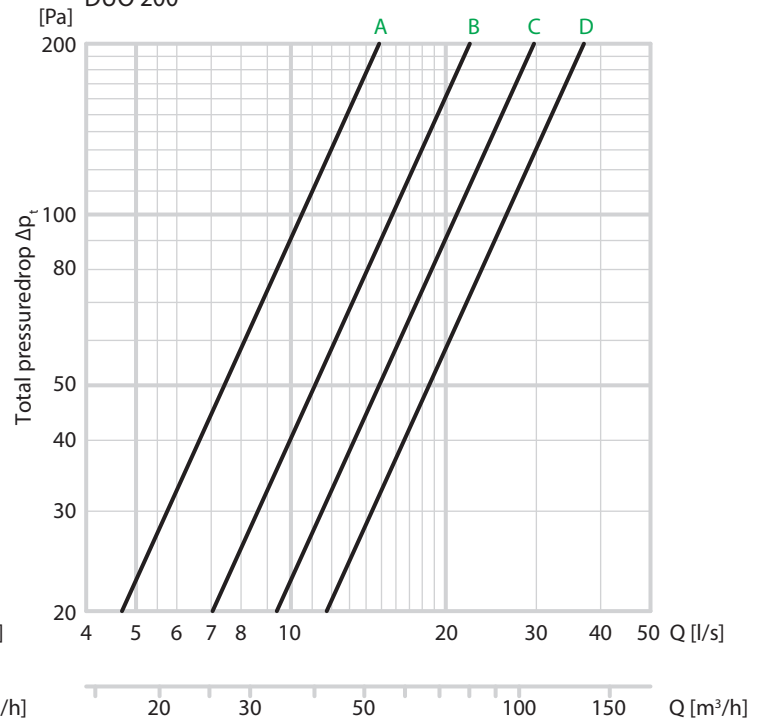
D. 3.

DUO 160



D. 4.

DUO 200

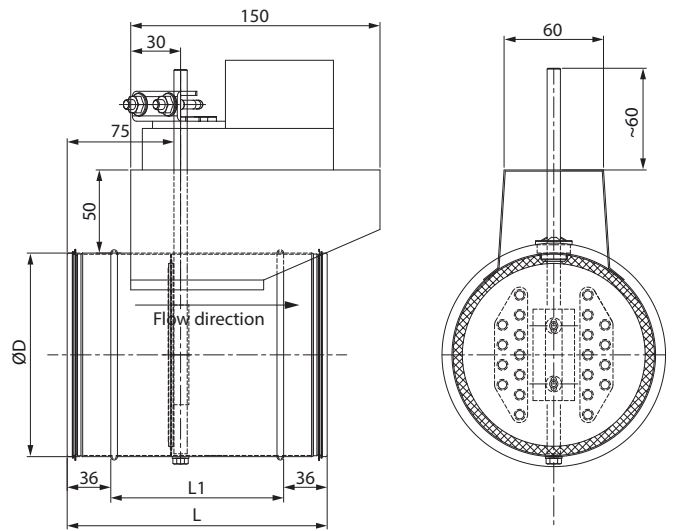


Dimensions

T.1.

Type	Dimensions*		
	ØD	L	L1
100	99	177	105
125	124	177	105
160	159	177	105
200	199	197	125

*The indicated sizes in mm.



Electrical connection

CM24-R, LM24A

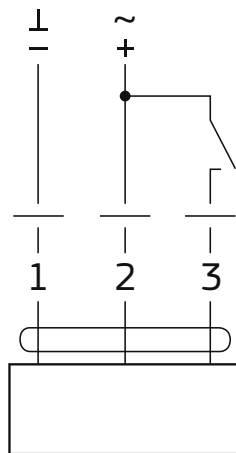
AC/DC 24 V, open/close

Wire colors:

1 = black

2 = red

3 = white, switched voltage, open



Specification

Ordering code:	XXX	-X	-XXX	-XXXXX
Product acronym:	DUO			
Perforation type:	10%	A		
	15%	B		
	20%	C		
	25%	D		
Size:	100	CM24-R		
	125	CM24-R		
	160	LM24A		
	200	LM24A		
Example: DUO-B-160-LM24A				