

Rectangular sound attenuator with circular connection

C-LAG



Description

C-LAG is a rectangular sound attenuator with low installation height, that was designed to be connected to circular ducts. The attenuator was developed specifically to reduce noise in certain octave bands primarily in heating, ventilating, and air conditioning systems.

Standard sizes

100, 125, 160, 200, 250, 315, 400 and 500 mm

Material & finish

The casing is made of galvanized sheet steel. The sector panels are made of high quality absorption material, laminated cleanable surfaces type Therwoolin.

Main features

- Rectangular sound attenuator with circular connection
- Low installation height
- Excellent attenuation qualities
- Cleanable Therwoolin surface layer

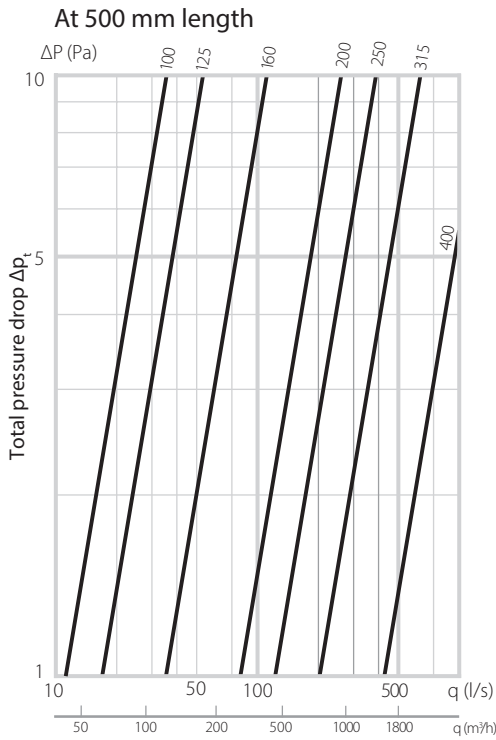
Technical data

T.1.

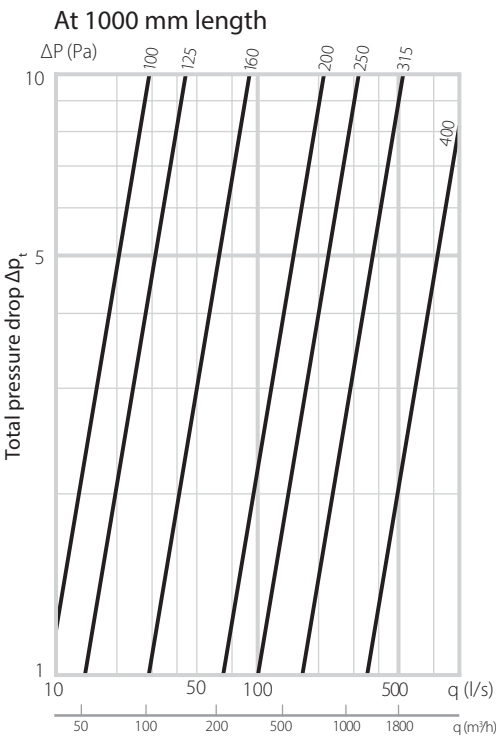
Type	Length (mm)	Sound attenuation ΔL_p							
		Hz							
		63	125	250	500	1000	2000	4000	8000
100	500	6	13	18	30	48	51	41	25
	1000	10	18	23	44	65	63	55	32
125	500	7	13	14	28	40	38	29	17
	1000	12	16	20	49	58	67	60	34
160	500	4	9	11	22	30	25	16	12
	1000	10	14	18	40	58	50	30	19
200	500	2	5	8	17	22	18	11	6
	1000	11	10	18	34	51	40	21	12
250	500	4	3	8	15	19	13	8	5
	1000	9	7	14	27	35	27	14	8
315	500	4	3	6	12	13	9	6	5
	1000	8	5	10	22	29	17	11	10
400	500	3	2	5	11	9	6	4	3
	1000	5	3	9	19	20	12	8	7

Diagrams

D.1.



D.2.

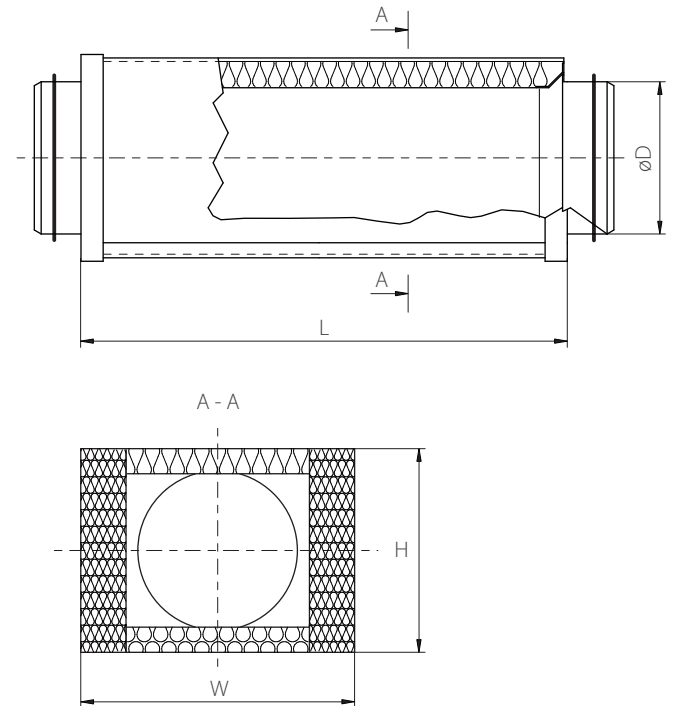


Dimensions

T.4.

Type	L (mm)	W (mm)	H (mm)	ØD (mm)	Weight (kg)
100	500	220	160	100	2,9
	1000				4,8
125	500	250	185	125	3,4
	1000				5,8
160	500	280	220	160	4,0
	1000				7,1
200	500	340	260	200	5,7
	1000				8,7
250	500	400	310	250	6,6
	1000				10,6
315	500	460	375	315	7,5
	1000				12,8
400	500	560	460	400	9,2
	1000				16,6

The product can be manufactured in different dimensions on request.



Specification

Ordering code:	C-LAG	XXX	XXXX
Product type:	C-LAG		
Duct size (mm)		100	
		125	
		160	
		200	
		250	
		315	
		400	
Length (mm)			500
			1000
Example: C-LAG 125 1000			